

BrackIT[®] Rotate

Item no.: 8400

Display cart with lock free rotating mechanism

The mobile stand system BrackIT Rotate allows the mounted screen or the digital flipchart to be rotated from portrait to landscape format and vice versa at any time. Thanks to the ingenious spring mechanism, rotation is possible with almost no effort.

The mount locks in the respective end position and can be set in motion again almost effortlessly without the need for unlocking. In addition, the mount can be tilted by $0^\circ / \pm 2,5^\circ / \pm 5^\circ$ - the tilt levels can be adjusted with tools.

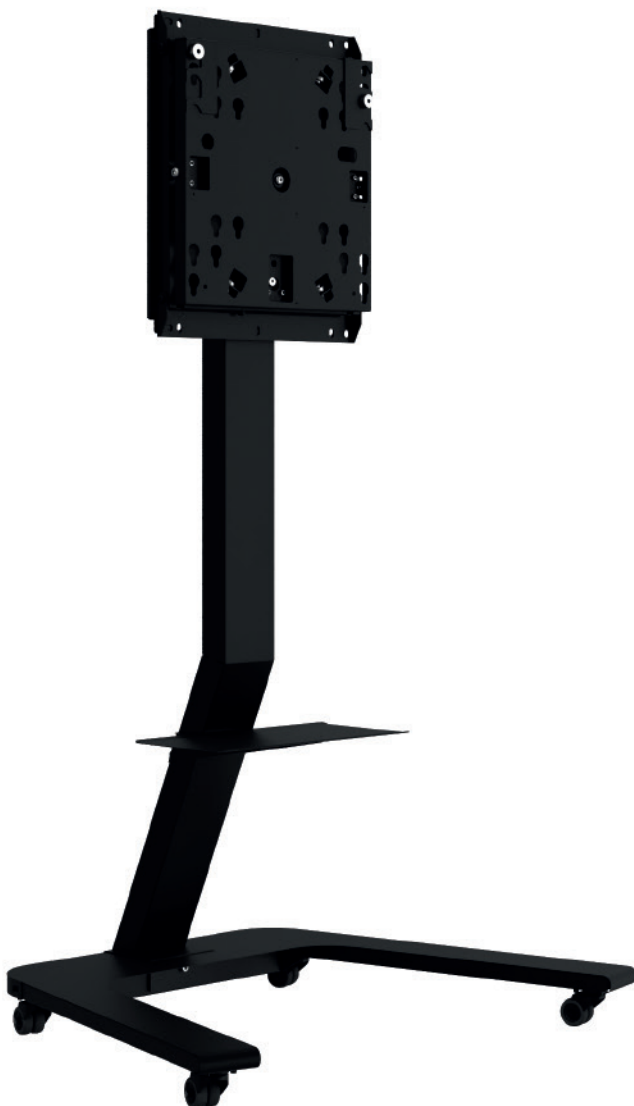
The system can be moved easily and safely from room to room thanks to the high quality castors attached to the stand system.

The castors with lock-type brake also ensure a safe stand at the desired position.

The included shelf can be used optionally and can be mounted in 2 positions. It offers a practical storage space.

The surface of the stand system is finished with an impact- and scratch-resistant powder coating in black.

The maximum load is 45 kg.

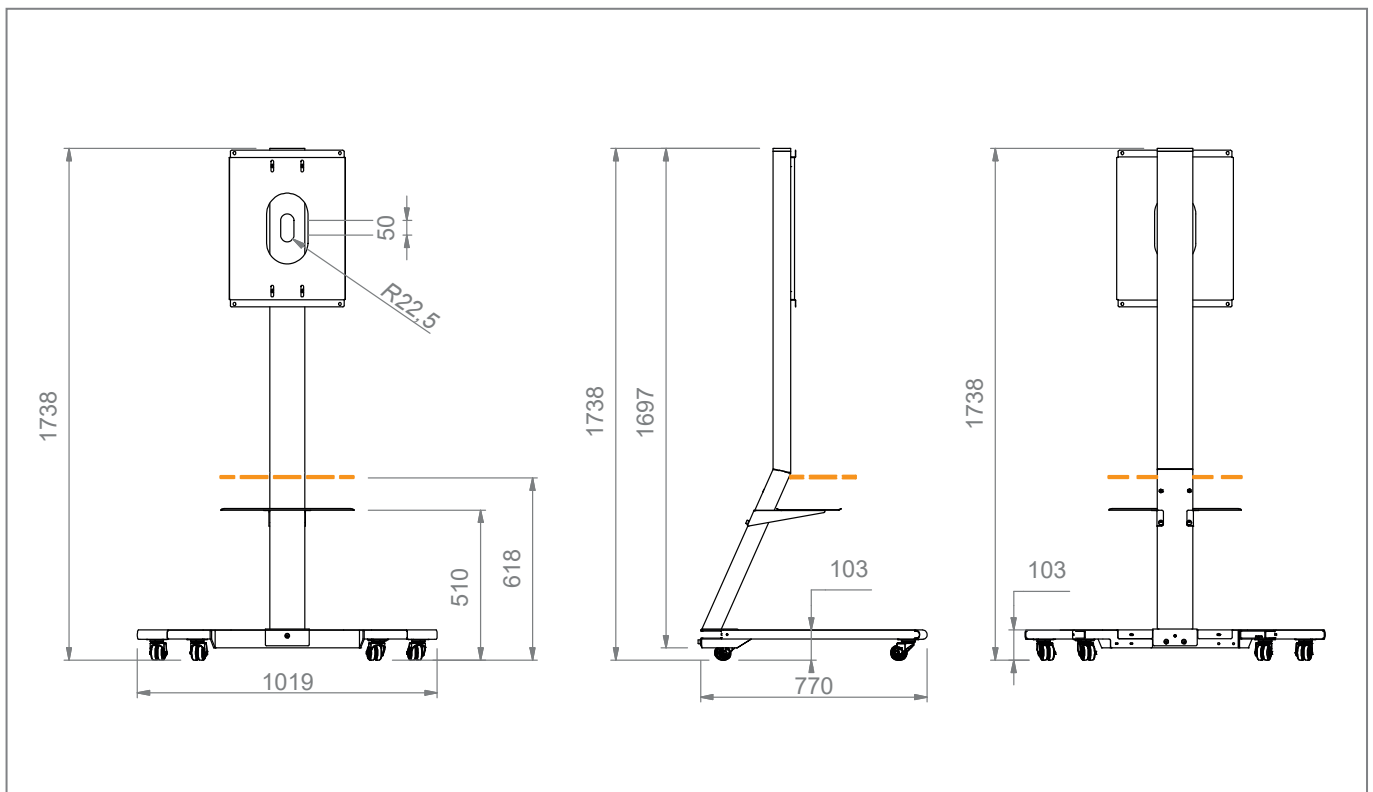


BrackIT[®] Rotate

Item no.: 8400

Display cart with lock free rotating mechanism

- for single screens from 43 - 65" | 109 - 165 cm
- freely rotatable by 90°
- VESA standard 200 x 200, 300 x 300, 400 x 400 mm
- landscape to portrait format and vice versa
- little effort needed thanks to spring mechanism
- locks in the respective end position
- release from end position without locking
- tilt angle can be adjusted with tools (0° / ±2,5° / ±5°)
- cable routing inside the column
- concealed castor set, 2 castors lockable
- including optionally usable shelf, selectively mountable in 2 positions
- height with castor set: 1738 mm
- floor space required: width 1019 x depth 770 mm
- 45 kg max. load
- colour: black



incl. castor set, partially lockable



incl. shelf, optionally usable



change the format without unlocking

BrackIT® Rotate

Item no.: 8400

Display cart with lock free rotating mechanism

